

## LENGTH GRADER



### SPECIFICATIONS

### MODEL LG series

MODEL	LG5B.1	LG5B.2	LG6A.1	LG6A.2	LG6A.4
Capacity (tons/hour)	1.5	2.5 ÷ 3	2 ÷ 2.5	4 ÷ 4.5	8 ÷ 9
Power (kW)	0.75	1.5	0.75	1.5	3
Speed of main shaft (v/p)	45	40 ÷ 45	38 ÷ 47	38 ÷ 47	38 ÷ 47
Power source	380V-50Hz	380V-50Hz	380V-50Hz	380V-50Hz	380V-50Hz
Net weight (kg)	800	1100	900	1160	1360
Gross weight (kg)	950	1250	1500	1500	1500
Dimension (LxWxH)	3346x740x 2670	3600x1480x 2665	3845x840x 2770	3960x1700x 2990	3800x1700x 3800

*Exclusively Distributed by:*

**GRAINSCO**

**Grains Innovation & Solutions Co., Inc.**

Manila Office: Unit 206 Veria Bldg.  
62 West Avenue, Quezon City 1104 Philippines

✉ [info@grainsco.com](mailto:info@grainsco.com)

🌐 [www.grainsco.com](http://www.grainsco.com)

📘 [facebook.com/Grainsco](https://facebook.com/Grainsco)

**CUSTOMER CARE HOTLINES:**

**FARM MACHINERY:** 0917 103-8888 / 0919 088-8883

**GRAIN PROCESSING:** 0917 101-8888 / 0917 102-8888 / 0919 088-8881

## LENGTH GRADER

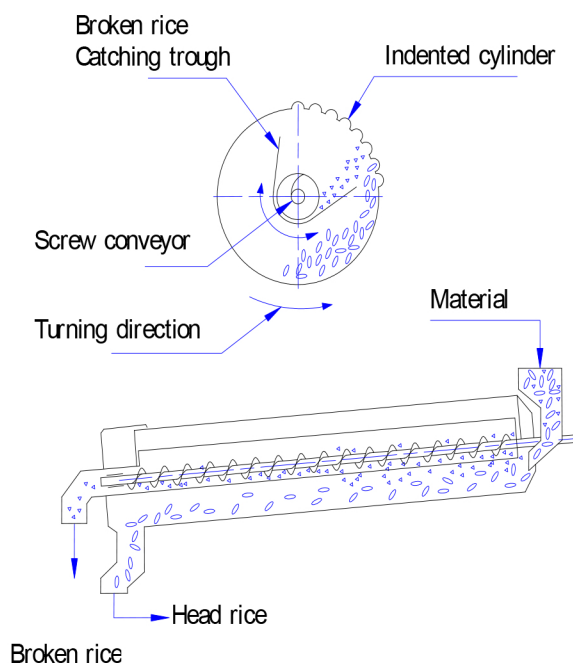
MODEL	LG7A.1	LG7A.2	LG7A.2D	LG7A.4	LG7A.4D
Capacity (tons/hour)	2.5 ÷ 3	5 ÷ 6	2.5 ÷ 3	10 ÷ 12	5 ÷ 6
Power (kW)	1.5	2.2	3	4.4+0.9	4.4+0.1
Speed of main shaft (rpm)	38 ÷ 40	38 ÷ 40	38 ÷ 40	38 ÷ 40	38 ÷ 40
Power source	380V-50Hz	380V-50Hz	380V-50Hz	380V-50Hz	380V-50Hz
Net weight (kg)	950	1780	1850	2950	2950
Gross weight (kg)	1200	2000	2100	3100	3100
Dimension (LxWxH)	3910x970x2810	3980x1680x2855	4730x1970x4550	4280x1940x5050	4730x1940x4810

## FEATURES AND FUNCTIONS

Drum of length grader is made of stainless steel. It includes two semi-cylinders coupling together in length so it is easy to clean inside and to maintain.

Depending on the size of broken rice wanting to take out, the ff. size of indented hole would be chosen:  
 ((P6mm, P5,8mm, P5,5mm, P4,5mm).

Diameter of drum can be 500mm, 600mm, 700mm and the equivalent length is 2000mm, 2500mm, 3000mm.



**Exclusively Distributed by:**

**GRAINSCO**

**Grains Innovation & Solutions Co., Inc.**

Manila Office: Unit 206 Veria Bldg.

62 West Avenue, Quezon City 1104 Philippines

**CUSTOMER CARE HOTLINES:**

**FARM MACHINERY:** 0917 103-8888 / 0919 088-8883

**GRAIN PROCESSING:** 0917 101-8888 / 0917 102-8888 / 0919 088-8881

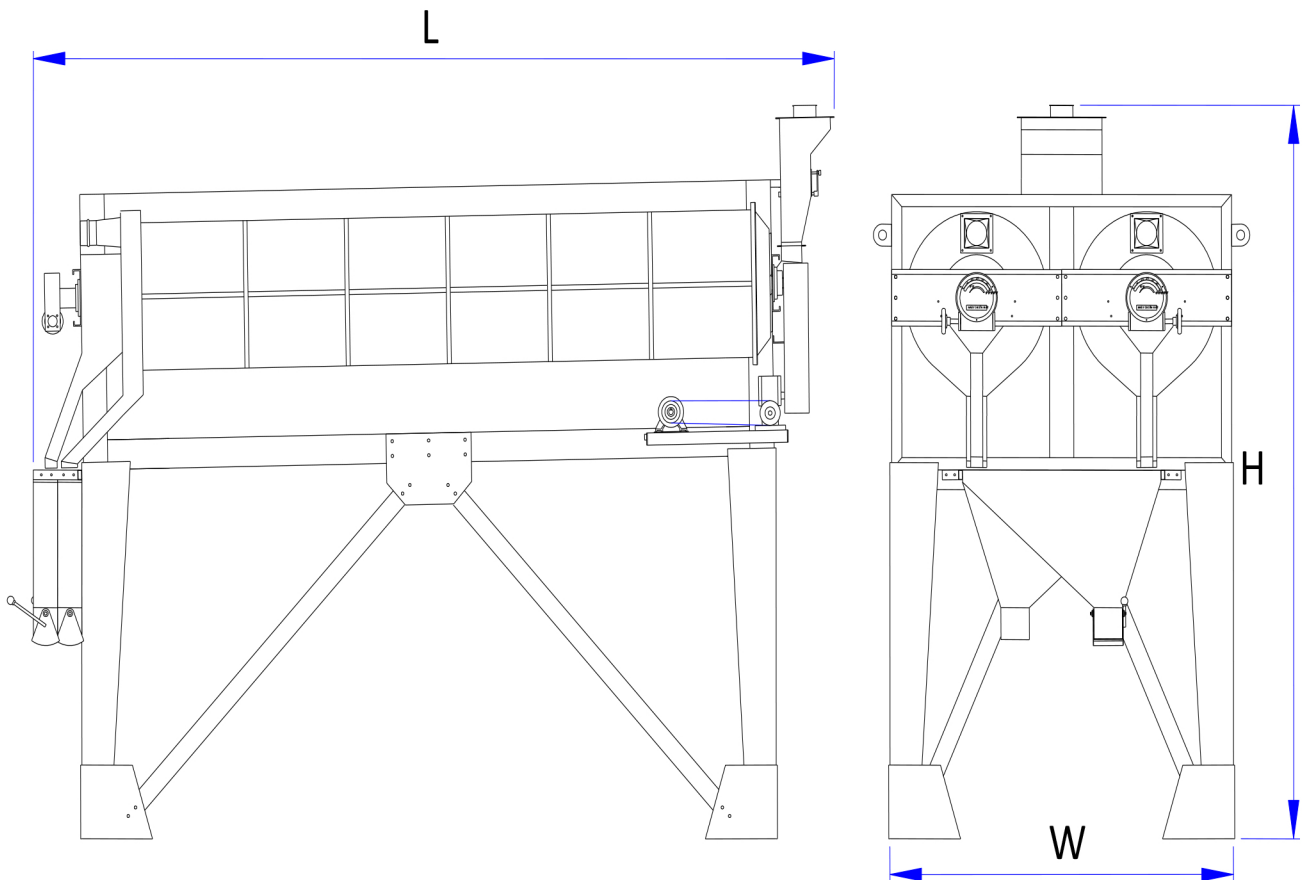
✉ info@grainsco.com

🌐 www.grainsco.com

📘 facebook.com/Grainsco

## LENGTH GRADER

### OVERALL DIMENSIONS



*Exclusively Distributed by:*

**GRAINSCO**

**Grains Innovation & Solutions Co., Inc.**

Manila Office: Unit 206 Veria Bldg.

62 West Avenue, Quezon City 1104 Philippines

**CUSTOMER CARE HOTLINES:**

**FARM MACHINERY:** 0917 103-8888 / 0919 088-8883

**GRAIN PROCESSING:** 0917 101-8888 / 0917 102-8888 / 0919 088-8881

✉ [info@grainsco.com](mailto:info@grainsco.com)

🌐 [www.grainsco.com](http://www.grainsco.com)

📘 [facebook.com/Grainsco](https://facebook.com/Grainsco)